

## BF-HLC5 SERIES

### LUG TYPE BUTTERFLY VALVES WITH HAND LEVER OR GEAR OPERATED HANDWHEEL

#### PRODUCT SPECIFICATION SHEET



#### FEATURES

- Ductile cast iron body
- 90° closing / opening operation (10 position)
- Lock-lever handle, (steel material)
- Elastomer Liner
- Memory lock mechanism
- Ductile disc with nickel plated

#### SPECIFICATIONS

- Valve sizes:** DN50 to DN600 (Lug Type)
- Nominal pressure:** Non-shock working pressure  
16 bar Cold working pressure  
(Water, Oil or Gas application)
- Temperature range:** -10 °C to 120 °C (EPDM)  
-10 °C to 82 °C (NBR)

#### Test Pressure(bar)

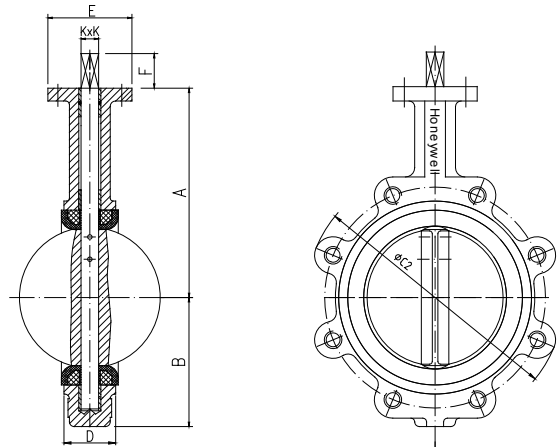
- Shell (Water) 24 bar  
Seat (Water) 17.6 bar

No.	Description	Material	Material Symbol
1	Body	Cast Iron	GG-25 EN1561
		Ductile Cast Iron	GGG-40 EN1563
2	Shaft	Stainless Steel	420 S37 EN10088-3
3	Disc	Ductile Iron	GGG-40 with nickel plated
		Stainless Steel	304S31 EN10028-7
		Aluminum Bronze	C95400 ASTM
4	Bushing	PTFE	
5	Liner	Rubber	EPDM
6	O-rings	Rubber	EPDM

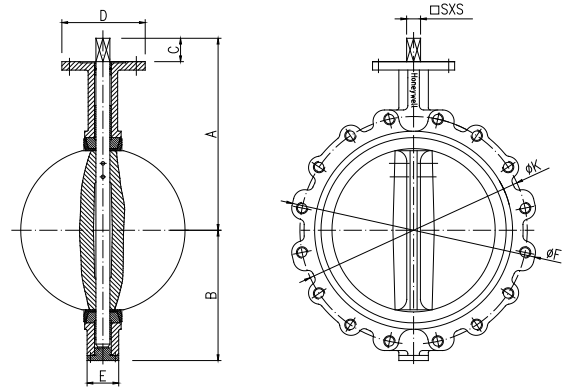
# Honeywell

## DIMENSIONS in (mm)

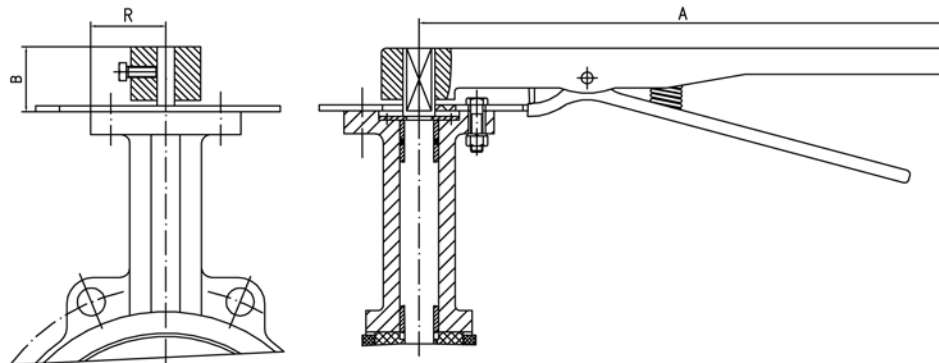
Size	A	B	C2	D	E	F	KxK	Top PCD	Plate Date HOLE N-Dia
DN50	140	70	150	41	90	30	11x11	70	4 - Ø9
DN65	152	76	175	44	90	30	11x11	70	4 - Ø9
DN80	159	88	187	44	90	30	11x11	70	4 - Ø9
DN100	178	102	222	51	90	30	14x14	70	4 - Ø9
DN125	191	119	254	54	90	30	14x14	70	4 - Ø9
DN150	203	133	279	54	90	30	17x17	70	4 - Ø9
DN200	241	170	337	64	125	30	17x17	102	4 - Ø11
DN250	273	210	403	64	125	30	22x22	102	4 - Ø11
DN300	308	243	486	76	125	30	22x22	102	4 - Ø11



Size	A	B	C2	D	E	F	K	SxS/d	Top Plate Data PCD
DN350	413	267	45	150	80	525	470	22x22	125
DN400	451	309	45	175	90	585	525	27x27	140
DN450	467	318	45	175	109	650	585	27x27	140
DN500	525	350	45	175	127	720	650	36x36	140
DN600	607	410	45	210	154	850	770	36x36	165

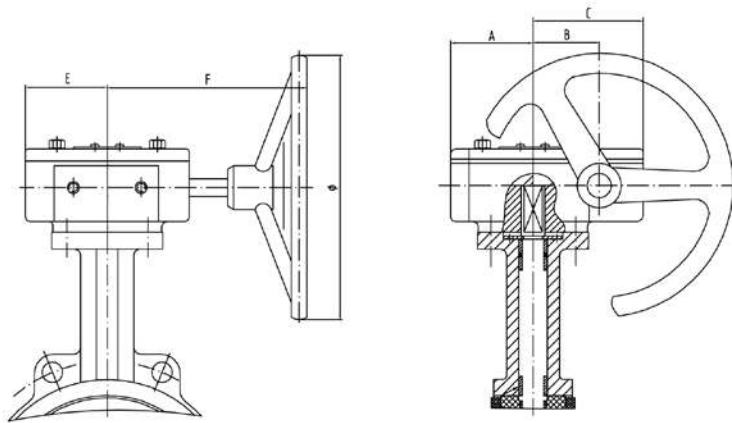


## DIMENSION & WEIGHT OF HAND LEVERS



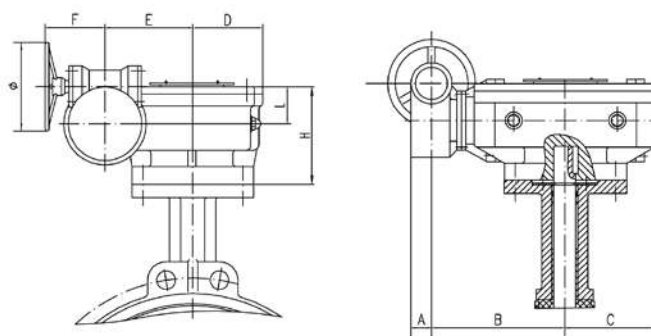
Size	A	B	R	Weight (KG)
DN50-150	266.7	32	52	0.9
DN200-300	359	50	75.2	2.3

## DIMENSION & WEIGHT OF GEAR OPERATORS



Size	A	B	C	E	F	G	Φ	Weight (kg)
DN50-150	52	50	74	52	147	75	144	5.2
DN200-250	75	65	100	75	235	86	287	13
DN300-350	72	83	114	81	221	83	287	15

## DIMENSION & WEIGHT OF 2nd-STAGE GEAR OPERATORS

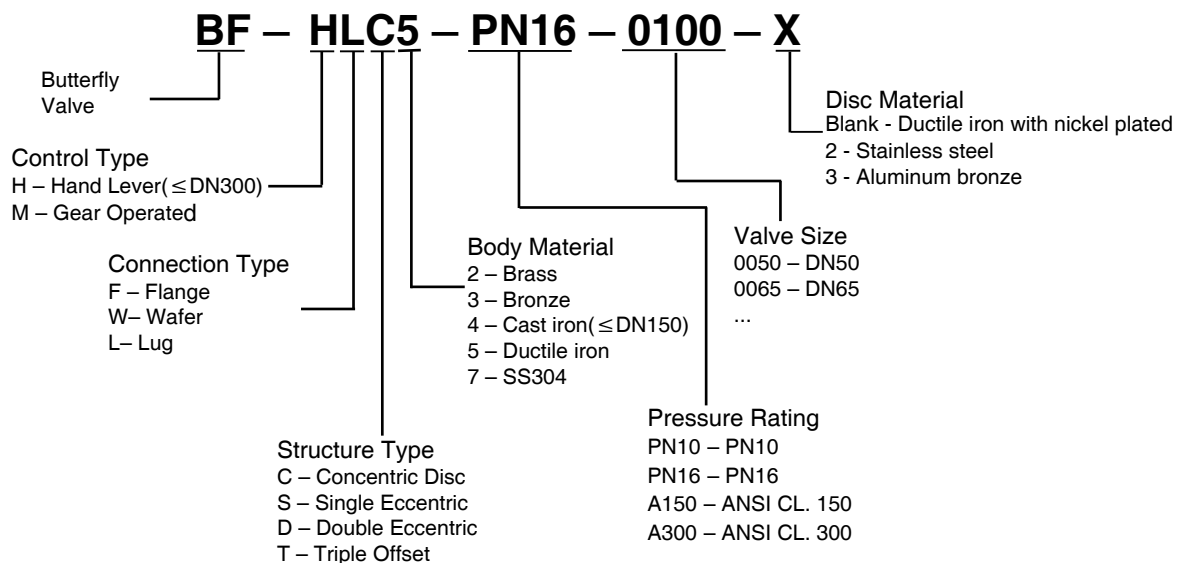


Size		A	B	C	D	E	F	H	L	Φ	Weight (KG)
PN10	PN16										
DN400-500	DN400-500	56.5	178.5	121	115	104	174	125.5	66	300	56.9
DN600	DN600	56.5	197.5	142	144	130	174	145.5	66	300	72.37

## Cv VALUE - FLOW RATE COEFFICIENT

SIZE	10°	20°	30°	40°	50°	60°	70°	80°	90°
DN50	0.1	5	12	24	45	64	90	125	135
DN65	0.2	8	20	37	65	98	144	204	220
DN80	0.3	12	22	39	70	116	183	275	302
DN100	0.5	17	36	78	139	230	364	546	600
DN125	0.8	29	61	133	237	392	620	930	1022
DN150	2	45	95	205	366	605	958	1437	1579
DN200	3	89	188	408	727	1202	1903	2854	3136
DN250	4	151	320	694	1237	2047	3240	4859	5340
DN300	5	234	495	1072	1911	3162	5005	7507	8250
DN350	6	338	715	1549	2761	4568	7230	10844	11917
DN400	8	464	983	2130	3797	6282	9942	14913	16388
DN450	11	615	1302	2822	5028	8320	13168	19752	21705
DN500	14	791	1674	3628	6465	10698	16931	25396	27908
DN600	22	1222	2587	5605	9989	16528	26157	39236	43116

## SELECTION CHART



## BF-HWC5 SERIES

### WAFER TYPE CONCENTRIC DISC BUTTERFLY VALVES WITH HAND LEVER OR GEAR OPERATED HANDWHEEL

#### PRODUCT SPECIFICATION SHEET



#### FEATURES

- Cast Iron Body
- 90° closing / opening operation (10 position)
- Lock-lever handle, (steel material)
- Elastomer Liner
- Memory lock mechanism
- Ductile disc with nickel plated

#### SPECIFICATIONS

**Valve sizes:** DN50 to DN1000

**Nominal pressure:** 16 bar

**Temperature range:** -10 °C to 120 °C

#### Test Pressure

Shell (Water) 24 bar

Seat (Water) 17.6 bar



No.	Description	Material	Material Symbol
1	Body	Cast Iron	GG-25 EN1561
		Ductile Cast Iron	GGG-40 EN1563
2	Shaft	Stainless Steel	420 S37 EN10088-3
3	Disc	Ductile Iron	GGG-40 with nickel plated
		Stainless Steel	304S31 EN10028-7
		Aluminum Bronze	C95400 ASTM
4	Bushing	PTFE	
5	Liner	Rubber	EPDM
6	O-rings	Rubber	EPDM

## DIMENSIONS in (mm)

Size	A	B	C2	D	E	F	KxK	Top PCD	Plate Date HOLE N-Dia
DN50	140	70	105	41	90	30	11x11	70	4 - Ø9
DN65	152	76	117	44	90	30	11x11	70	4 - Ø9
DN80	159	91	130	44	90	30	11x11	70	4 - Ø9
DN100	178	102	162	51	90	30	14x14	70	4 - Ø9
DN125	191	119	187	54	90	30	14x14	70	4 - Ø9
DN150	203	133	216	54	90	30	17x17	70	4 - Ø9
DN200	241	170	271	64	125	30	17x17	102	4 - Ø11
DN250	273	210	330	64	125	30	22x22	102	4 - Ø11
DN300	308	243	376	76	125	30	22x22	102	4 - Ø11

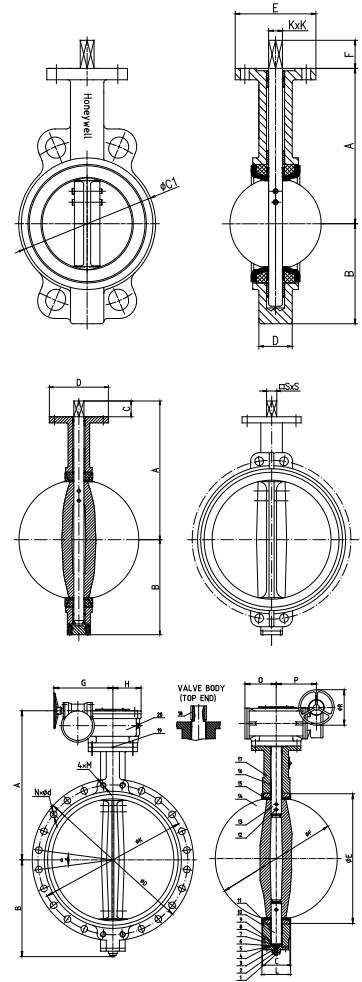
Size	A	B	C2	D	E	F	K	SxS/d	Top Plate Data PCD
DN350	413	267	45	150	80	525	470	22x22	125
DN400	451	309	45	175	90	585	525	27x27	140
DN450	467	318	45	175	109	650	585	27x27	140
DN500	525	350	45	175	127	720	650	36x36	140
DN600	607	410	45	210	154	850	770	36x36	165

## PN10

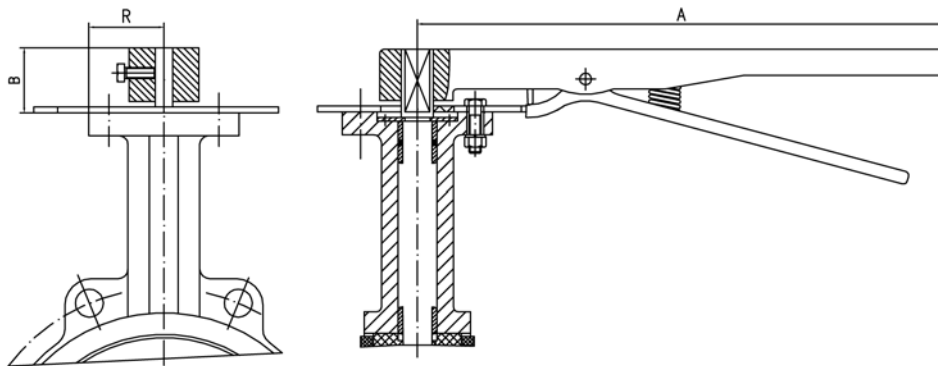
Size	A	B	C	L	φ D	φ K	N × φ d	4 × M	φ E	φ F	a°	G	H	O	P	φ R	Weight(Kg)
DN700	784	581	163	169	895	840	24 × φ 31	4 × M30	741	695	15	355	146	146	228	400	361
DN800	832	655	188	195	1015	950	24 × φ 34	4 × M30	847	794.7	15	355	146	146	228	400	444
DN900	974	745	203	211	1115	1050	24 × φ 34	4 × M30	943	864.7	12.857	377	170	170	243	450	660
DN1000	1054	803	216	224	1230	1160	24 × φ 37	4 × M33	1049	965.7	12.857	377	170	170	243	450	830

## PN16

Size	A	B	C	L	φ D	φ K	N × φ d	4 × M	φ E	φ E	a°	G	H	O	P	φ R	Weight(Kg)
DN700	784	581	163	169	910	840	20 × φ 37	4 × M33	741	695	15	355	146	146	228	400	396
DN800	926	655	188	195	1025	950	20 × φ 40	4 × M36	847	794.7	15	377	170	170	243	450	573
DN900	974	745	203	211	1125	1050	24 × φ 40	4 × M36	943	864.7	12.857	377	170	170	243	450	690
DN1000	1110	803	216	224	1255	1170	24 × φ 43	4 × M39	1049	965.7	12.857	476	180	250	302	450	1025

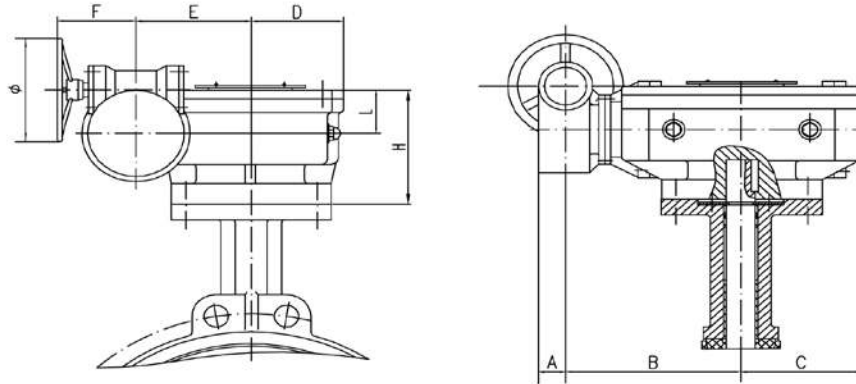


## DIMENSION & WEIGHT OF HAND LEVERS (REFERENCE)



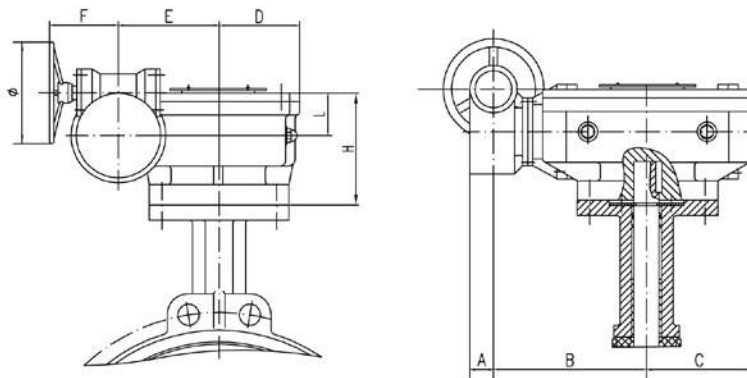
SIZE	A	B	R	WEIGHT(KG)
DN50-150	266.7	32	52	0.9
DN200-300	359	50	75.2	2.3

## DIMENSION & WEIGHT OF GEAR OPERATORS



Size	A	B	C	E	F	G	Φ	Weight (kg)
DN50-150	52	50	74	52	147	75	144	5.2
DN200-250	75	65	100	75	235	86	287	13
DN300-350	72	83	114	81	221	83	287	15

## DIMENSION & WEIGHT OF 2nd-STAGE GEAR OPERATORS



Size		A	B	C	D	E	F	H	L	Φ	Weight(KG)
PN10	PN16										
DN400-500	DN400-500	56.5	178.5	121	115	104	174	125.5	66	300	56.9
DN600	DN600	56.5	197.5	142	144	130	174	145.5	66	300	72.37
DN700-800	DN700	67	244	183	189	162	165	157	88	400	124
DN900-1000	DN800-900	76	270	215	220	196	215	235	126	300	158
DN1200	DN1000	74	418	265	185	240	215	315	126	435	370

## CV VALUE - FLOW RATE COEFFICIENT

Size	10°	20°	30°	40°	50°	60°	70°	80°	90°
DN50	0.1	5	12	24	45	64	90	125	135
DN65	0.2	8	20	37	65	98	144	204	220
DN80	0.3	12	22	39	70	116	183	275	302
DN100	0.5	17	36	78	139	230	364	546	600
DN125	0.8	29	61	133	237	392	620	930	1022
DN150	2	45	95	205	366	605	958	1437	1579
DN200	3	89	188	408	727	1202	1903	2854	3136
DN250	4	151	320	694	1237	2047	3240	4859	5340
DN300	5	234	495	1072	1911	3162	5005	7507	8250
DN350	6	338	715	1549	2761	4568	7230	10844	11917
DN400	8	464	983	2130	3797	6282	9942	14913	16388
DN450	11	615	1302	2822	5028	8320	13168	19752	21705
DN500	14	791	1674	3628	6465	10698	16931	25396	27908
DN600	22	1222	2587	5605	9989	16528	26157	39236	43116
DN700	36	1813	3639	6636	10000	14949	22769	34898	49500
DN800	45	2387	4791	8736	13788	20613	31395	48117	68250
DN900	60	3021	6063	11055	17449	26086	39731	60895	86375
DN1000	84	4183	8395	15307	24159	36166	55084	84425	119750

## SELECTION CHART

