

# 300 lb. WWP UL/FM Butterfly Valves

Fire Protection Valve • Grooved Mechanical Style • Nylon Coated Ductile Iron Body • Extended Neck • Elastomer Encapsulated Disc • Accepts Internal Supervisory Switches • Compatible with IPS Pipe

**300 PSI/20.7 Bar Non-Shock Cold Water 2½" - 8"**  
**175 PSI/12.1 Bar Non-Shock Cold Water 10"**

UL/ULC LISTED\*\* • FMRC APPROVED • 2½" - 10" UL LISTED FOR INDOOR AND OUTDOOR SERVICE • CALIFORNIA STATE FIRE MARSHALL APPROVAL NO. 7770-1243:101 • APPROVED BY THE NEW YORK CITY MEA 90-07-E, VOL.2 WHEN ASSEMBLED WITH APPROPRIATE NYC INDICATOR FLAG



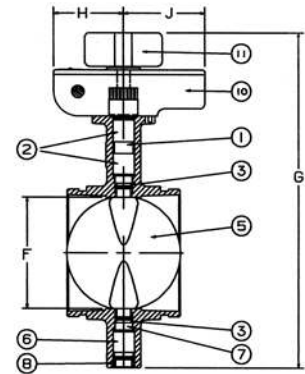
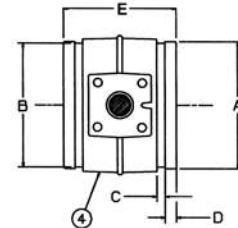
**GD-1765-8N**  
10"  
(not shown)

**GD-4765-8N\***  
Grooved  
2½" thru 8"

MATERIAL LIST	
PART	SPECIFICATION
1. Upper Stem	Stainless Steel ASTM A582 Type 416
2. Upper Bushing	PTFE Bronze Sintered on Steel
3. "O" Ring	EPDM
4. Body	Ductile Iron ASTM A395 with Polyamide Coating
5. Disc	Ductile Iron ASTM A395 with EPDM Encapsulation
6. Lower Bushing	PTFE Bronze Sintered on Steel
7. Lower Stem	Stainless Steel ASTM A582 Type 416
8. Dust Plug	PVC
9. Nameplate	Aluminum
10. Gear Operator	Cast Iron and Steel
11. Indicator Flag	Cast Iron
12. Handwheel	Cast Iron

\*-8N version has two factory mounted internal supervisory switches.  
-4N version is gear operated only

Uses NIBCO model #TS-4 Switch Kit.  
Polyamide coating has NSF certification.



## DIMENSIONS—WEIGHTS—QUANTITIES

Size	Dimensions									
	A	B	C	D	E	F	G	H		
In. mm.	In. mm.	In. mm.	In. mm.	In. mm.	In. mm.	In. mm.	In. mm.	In. mm.	In. mm.	In. mm.
2½	65 2.88 73 2.72 69 0.31 8 0.63 16 3.85 98 2.42 61 11.94 303 2.91 74									
3 O.D.	76.1 3.00 76 2.84 72 0.31 8 0.63 16 3.85 98 2.42 61 11.94 303 2.91 74									
3	80 3.50 89 3.34 85 0.31 8 0.63 16 3.85 98 2.86 73 12.48 317 2.91 74									
4	100 4.50 114 4.33 110 0.38 10 0.63 16 4.56 116 3.84 98 14.18 360 2.91 74									
5	125 5.56 141 5.39 137 0.38 10 0.63 16 5.86 149 4.79 122 15.17 385 2.91 74									
6	150 6.63 168 6.45 164 0.38 10 0.63 16 5.86 149 5.73 146 17.54 446 2.91 74									
6 O.D.	165.1 6.51 165 6.32 161 0.38 10 0.63 16 5.86 149 5.73 146 17.54 446 2.91 74									
8	200 8.63 219 8.44 214 0.44 11 0.75 19 5.26 134 7.71 196 19.42 493 2.91 74									
10	250 10.75 273 10.56 268 0.50 13 0.75 19 6.29 160 9.56 243 24.03 610 3.90 99									

Size	Dimensions										Weight	
	J	K	L	M	N	P	Q	R			Lbs.	Kg.
In. mm.	In. mm.	In. mm.	In. mm.	In. mm.	In. mm.	In. mm.	In. mm.	In. mm.	In. mm.	In. mm.		
2½	65 3.54 90 2.13 54 5.82 148 5.67 144 4.19 106 3.25 83 5.9 150 3.46 88 22 10.0											
3 O.D.	76.1 3.54 90 2.13 54 5.82 148 5.67 144 4.19 106 3.25 83 5.9 150 3.46 88 22 10.4											
3	80 3.54 90 2.13 54 5.82 148 5.94 151 4.44 113 3.54 90 5.9 150 3.97 101 23 10.4											
4	100 3.54 90 2.13 54 7.64 194 6.31 173 5.33 135 4.35 110 5.9 150 5.03 128 28 12.7											
5	125 3.54 90 2.13 54 7.64 194 7.32 186 5.83 148 4.84 123 5.9 150 6.27 159 31 14.1											
6	150 3.54 90 2.13 54 7.64 194 8.62 219 7.11 181 5.93 151 5.9 150 7.25 184 41 18.6											
6 O.D.	165.1 3.54 90 2.13 54 7.64 194 8.62 219 7.11 181 5.93 151 5.9 150 7.25 184 41 18.6											
8	200 3.54 90 2.13 54 7.91 201 9.80 249 8.05 204 6.87 174 9.8 250 9.25 235 53 24.1											
10	250 3.98 101 3.03 77 9.49 241 11.61 295 9.86 250 9.17 233 18.0 457 11.80 300 88 40.0											

\*\* Compliance with the Standard for Butterfly Valves for Fire Protection Service, UL 1091.

