

Lead-Free* 250 PSI WWP Iron Body Check Valves

Fire Protection Valve • UL listed FM Approved
Double-Door • Wafer Style • Rubber Seat • Spring Actuated
CERTIFIED LEAD-FREE* BY WQA TO NSF/ANSI 372
UL/ULC LISTED • FM APPROVED*



C USA
COMPONENT LEAD-FREE

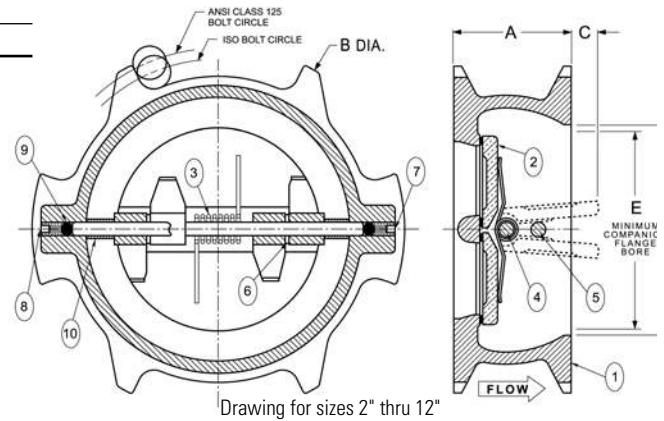


KW-900-W-LF

Wafer Style
2 1/2" - 12"

| MATERIAL LIST | |
|-------------------------|--|
| PART | SPECIFICATION |
| 1. Body | Ductile Iron ASTM A536, Grade 65-45-12 - 2" thru 12" 14" thru 16" Cast Iron ASTM 126, Class B w/ Buna-N (Nitrile) resilient seat molded to body |
| 2. Disc | Bronze ASTM B584 Alloy C87600 |
| 3. Torsion Spring | Stainless Steel |
| 4. Hinge Pin | Stainless Steel |
| 5. Stop Pin | Stainless Steel |
| 6. Thrust Bearing | Stainless Steel |
| 7. Hinge Pin Retainer | Steel |
| 8. Stop Pin Retainer | Steel |
| 9. Stabilization Sphere | Buna-N |
| 10. Spacer | Stainless Steel ASTM A276 UNS S31600 |

KW-900-W-LF
Wafer



DIMENSIONS—WEIGHTS—QUANTITIES

| Size | Dimensions | | | | | C/V | Weight | | | |
|----------|------------|-----------|-----------|-----------|-----------|--------|--------|-------|-------|--------|
| | A | B | C | D | E | | Lbs. | Kg. | | |
| In. mm. | In. mm. | In. mm. | In. mm. | In. mm. | In. mm. | | | | | |
| 2 1/2 65 | 2.38 60 | 6.00 152 | .125 3 | 3.50 89 | 1.313 33 | 108 | 4.3 | 1.95 | | |
| 3 80 | 2.63 67 | 5.63 143 | .188 5 | 3.875 98 | 1.688 43 | 178 | 6.1 | 2.77 | | |
| 4 100 | 2.63 67 | 7.75 197 | .625 16 | 4.75 121 | 3.063 78 | 440 | 8.8 | 3.99 | | |
| 5 125 | 3.25 83 | 7.56 192 | .813 21 | 5.50 140 | 3.625 92 | 560 | 13.0 | 5.90 | | |
| 6 150 | 3.75 95 | 8.63 219 | .813 21 | 6.25 159 | 4.250 108 | 840 | 18.0 | 8.16 | | |
| 8 200 | 5.00 127 | 12.25 311 | 1.000 25 | 8.00 203 | 5.500 140 | 1600 | 37.0 | 16.78 | | |
| 10 250 | 5.50 140 | 14.75 375 | 2.125 54 | 10.12 257 | 8.500 216 | 2700 | 65.0 | 29.48 | | |
| 12 300 | 7.13 181 | 17.38 441 | 1.938 49 | 12.00 305 | 9.250 235 | 4700 | 94.0 | 42.64 | | |
| 14 350 | 7.25 184 | 17.75 451 | 3.250 83 | — | — | 13.000 | 330 | 5200 | 200.0 | 90.75 |
| 16 400 | 7.50 191 | 20.25 514 | 4.500 114 | — | — | 15.000 | 381 | 7200 | 285.0 | 129.28 |

*Note: 14" and 16" sizes, 200 PSI WWP, FM approved only – P.O.A.

Features

- Spring loaded for fast closure, eliminating reverse flow slam and water hammer.
- Easily installed, with gasket, between standard class 125 flanges.
- Only one set of flange studs is needed.
- May be installed in both horizontal and vertical lines with upward flow.



NOTE:

Twin Disc Check Valves can be installed horizontally or in the vertical position with flow up.

CAUTION:

For horizontal flow applications, the valve must be installed with disc hinge pin in the vertical position to insure proper operation.

WARNING:

1. These are not to be used as steam valves
2. Valves are not to be used near a reciprocating air compressor
3. Install 5 pipe diameters minimum downstream from pump discharge or elbows to avoid flow turbulence. Flow straighteners may be required in extreme cases.

NOTE:

On pump discharge, the preferred check valves are in-line spring loaded.



KW-900-W-LF

Wafer Style
14" - 16"