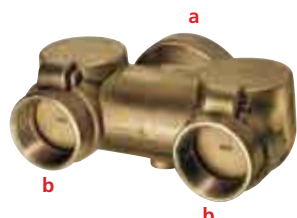




FIRE PROTECTION PRODUCTS

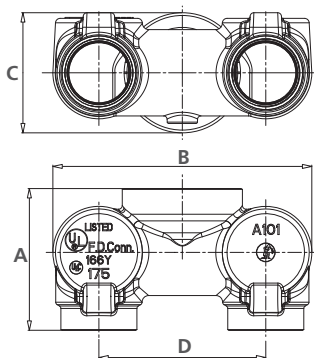
Straight Concealed Siamese

A101



► Concealed auxiliary inlet with 500 G.P.M. inlet capacity to supplement Fire Protection water supply.

Standard equipment:
Cast brass two-way inlet body with double drop clappers; NPT Threads.



CERTIFICATIONS



CE x 1191 LISTED 175

a	b
4"	2-1/2"
4"	3"
6"	2-1/2"

	4" x 2-1/2"	4" x 3"	6" x 2-1/2"
A	5-61/64"	6-31/64"	8-19/64"
B	10-55/64"	12-1/16"	11-31/64"
C	3-3/64"	5-19/64"	7-3/32"
D	7"	7-5/8"	7-5/8"

90° Concealed Siamese

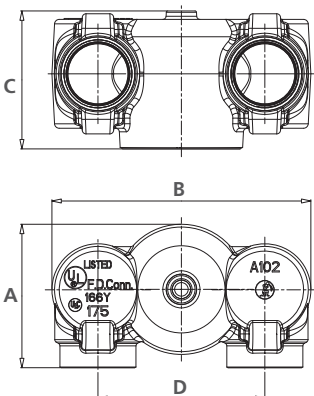
A102



► Concealed auxiliary inlet with 500 G.P.M. inlet capacity to supplement Fire Protection water supply.

Standard equipment:
Cast brass two-way inlet body with double drop clappers; NPT Threads.

Note:
One body can serve as bottom or top feed by changing clappers.



CERTIFICATIONS



CE x 1191 LISTED 618R

a	b
4"	2-1/2"
4"	3"
6"	2-1/2"

	4" x 2-1/2"	4" x 3"	6" x 2-1/2"
A	6-1/64"	6-1/2"	8-39/64"
B	10-55/64"	12-1/16"	12-15/32"
C	5-25/32"	6-9/32"	6-21/64"
D	7"	7-5/8"	7-5/8"